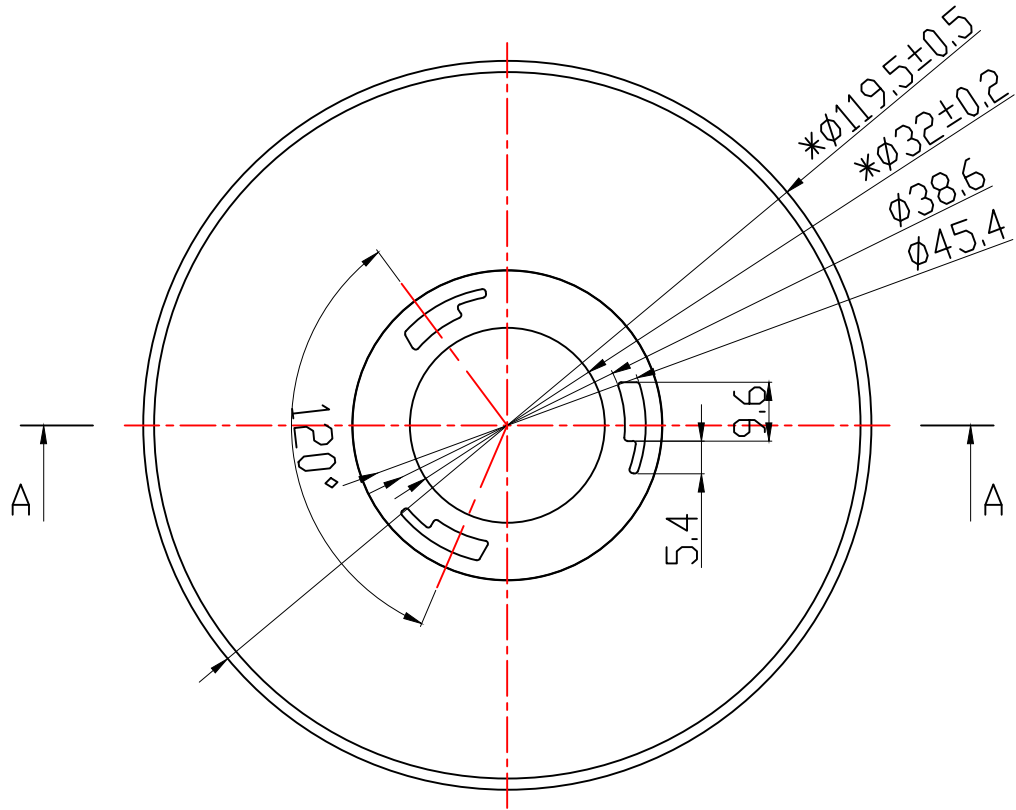
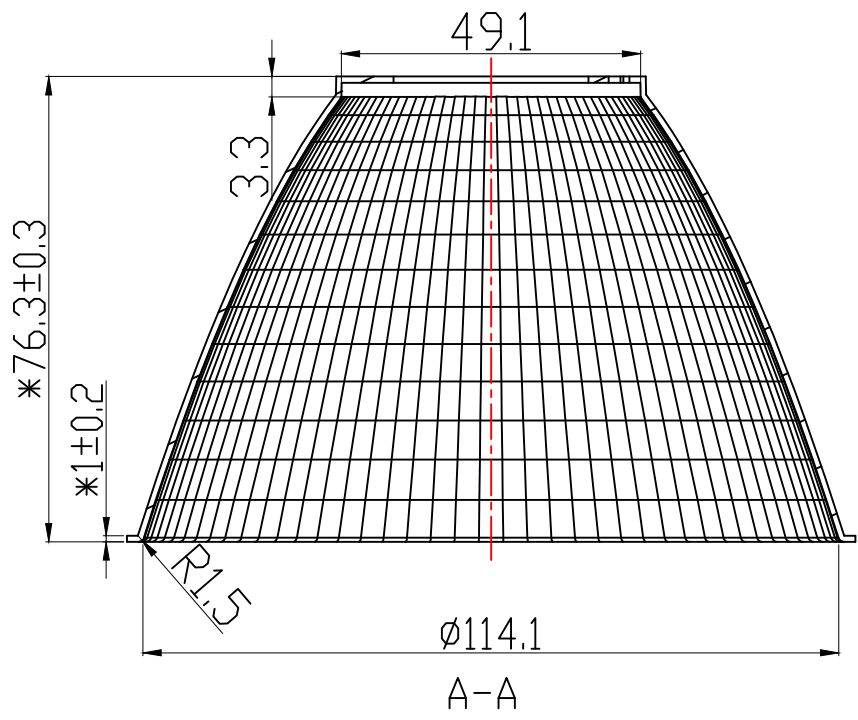
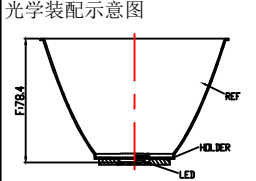


table for unmentioned tolerance in the drawing (unit: mm)				punch angle tolerance in the drawing (unit:degree)		
>0-5	>5-30	>30-90	>90-150	0-10	10-50	50-120
±0.15	±0.2	±0.4	±0.5	±1°	±0.5°	±0.3°
>150-250	>250-400	>400-700		120-250	250-360	360 above
±0.8	±1.5	±2		±0.2°	±0.166°	±0.085°

"*" Marked for key control dimensions



Light Source	CITIZEN CLU038
PlasticHolder	92.70.131.00
Metal Adaptor	
Design Angle	10° ±2°
Measured Angle	10.7°
Efficiency	91.76%



标记	1	更改内容	签名	更改日期
MARK	NO. OF MODIF.	MODIFICATIONS	SIGNED BY	MODIF. DATE
设计		制图	比例	1:1
DESIGNER		DRAWN BY	SCALE	
工艺		审核	视角	
TECHNICIAN		CHECKED BY	1st ANGLE PROJECTION	
批准		日期	页数	1 / 1
APPROVED BY		DATE (DD-MM-YYYY)	PAGE	SHEET 1 OF 1
		28-03-2019		

MATERIAL: T=1.0MM 1090AL FINISH: ANDOIZING		P/N: 91.04.2640.000	版本/REV KO
		产品名称 PRODUCT NAME	4-2640-A
		客户代号 CUSTOMER ID	NT
		客户编号 CUSTOMER CODE	AR-D120 10°
Nata ®			